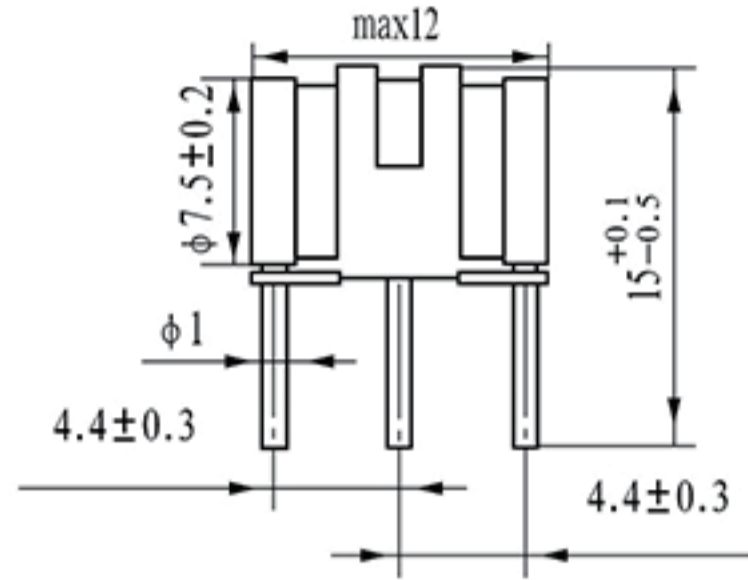


3RXXAW-D



3R-XXF

项目 Item	规格 Specification							单位 Unit
	3R75 AW-D	3R90 AW-D	3R150 AW-D	3R230 AW-D	3R350 AW-D	3R470 AW-D	3R600 AW-D	
	3R-75F	3R-90F	3R-150F	3R-230F	3R-350F	3R-470F	3R-600F	
标称直流击穿电压 Nominal DC Spark-over Voltage (100V/S)	75 ±20%	90 ±20%	150 ±20%	230 ±20%	350 ±20%	470 ±20%	600 ±20%	V
最大冲击击穿电压 Maximum impulse spark- over voltage (1KV/us)	600	600	700	700	850	950	1000	V
耐冲击电流 (短波) Impulse discharge current (8/20us, 10 times) (a+b)-e	10	10	10	10	10	10	10	KA
耐冲击电流 (长波) Impulse discharge current (10/1000us, 300 times) (a+b)-e	100	100	100	100	100	100	100	A
耐交流电流 AC discharge current (50Hz, Is, 10 times) (a+b)-e	10	10	10	10	10	10	10	A
最小绝缘电 Minimum insulation resistance	1000	1000	1000	1000	1000	1000	1000	MΩ
最大极间电容 Maximum capacitance (1MHZ)	1.5	1.5	1.5	1.5	1.5	1.5	1.5	pF